

BOOSTHERM COMBINED WATER TANKS

Boostherm tanks for preheated storage and hot water production at final temperature of use.

- Anti-legionella design.
- 300-1000L enamelled steel tank then epoxy coated steel beyond. 316L stainless steel on demand.
- M1-100mm insulation cover up to 1 000L ($\lambda = 0,038$ W/mK) and M3-100mm beyond.
- Fire protection class M3 "D" (M1 "B" or M0 "A2" on demand)
- Total drain orifice and quick drain valve to easily remove deposits.
- Electronic anode up to 1 000L and magnesium anode beyond.
- Connection kit including the Boostherm diffuser, a safety group (or valve), air vent, 2 thermometers, quick drain valve and fittings.
- 5 years tank warranty
- Optional electrical resistance

Boostherm water tanks can also be used as buffer tanks.
See selection guideline for hydraulic diagrams as illustration.

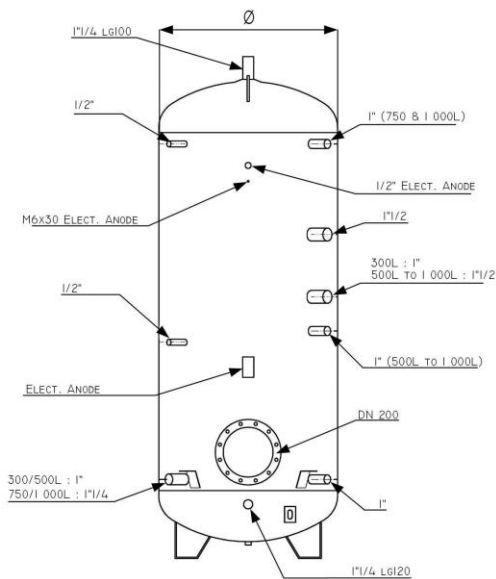


Model	Cold water network connection	Hot water outlet	Heat recovery connection	Height (1)	Ø (2)	Weight (kg) ATL / INOX	Code Epoxy Version	Code S-Steel Version (3)	Price Epoxy coated / Stainless steel
BOOSTHERM 300L	M3/4"	M3/4" or F1"1/4	2 x M3/4"	1 690	500	70 / 75	810 303	810 503	1 876 € / 2 756 €
BOOSTHERM 500L	M3/4"	M3/4" or F1"1/4	2 x M1"	1 765	650	135 / 110	810 305	810 505	2 101 € / 3 229 €
BOOSTHERM 750L	M3/4"	M3/4" or F1"1/4	2 x M1"	1 885	790	195 / 120	810 307	810 507	2 685 € / 4 314 €
BOOSTHERM 1 000L	F1"1/4	M1"1/4	2 x M1"	2 215	790	205 / 145	810 310	810 510	2 880 € / 4 940 €
BOOSTHERM 1 500L	F1"1/4	F1" or M2"	2 x M1"1/4	2 290	1 000	220 / 200	810 315	810 515	4 113 € / 6 991 €
BOOSTHERM 2 000L	F1"1/4	F1" or M2"	2 x M1"1/4	2 035	1 250	330 / 295	810 320	810 520	4 541 € / 8 825 €
BOOSTHERM 3 000L	F1"1/2	F1"1/4 or M2"	2 x M1"1/4	2 785	1 250	430	810 330	810 530	5 389 € / 10 474 €
BOOSTHERM 5 000L	F1"1/2	F1"1/4 or M2"	2 x M1"1/4	3 365	1 500	740	810 350	810 550	10 158 € / NC

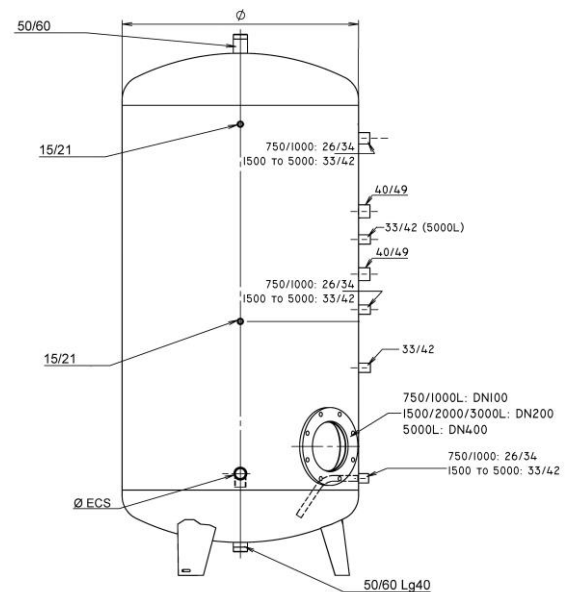
(1) Height without outlet elbow + air vent: Total height = height + 200mm

(2) Diameter without insulation: total diameter = tank diameter + 200mm. Insulation delivered pre-assembled up to 1 000L.

(3) Stainless steel water tanks are recommended for particularly aggressive water ($TH < 8^\circ f / < 5,6^\circ e < 4,5^\circ dH$); chloride content must be < 30 mg / litre.



300 & 500L



750 to 5 000L

Combined needs of DHW and Low temperature heating:

Possibility to create an interface with a low temperature heating system (up to 50kW) with an 827 120 exchanger.
See chapter accessories of this catalog. Consult our team for any sizing.